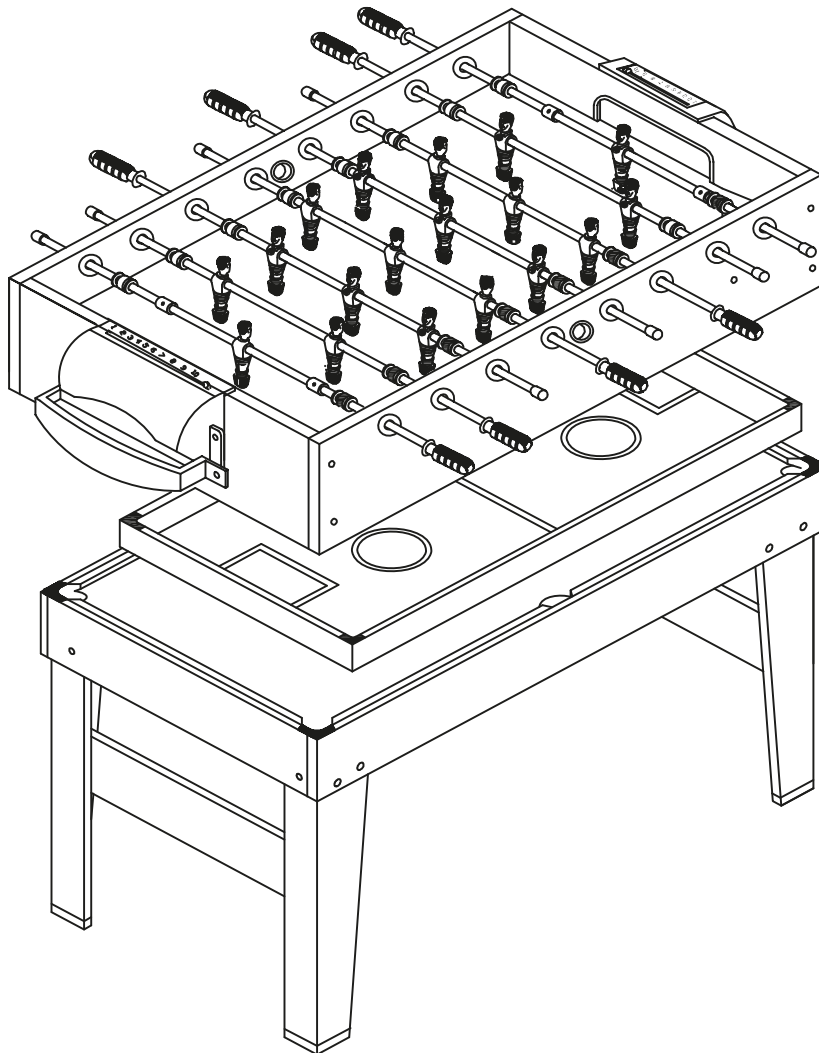


HY-PRO®

WOW 4-IN-1 GAMES TABLE

Assembly Instructions

Item No: HP03102



Warning: Not suitable for children under 3 years due to small parts and small balls - CHOKING HAZARD

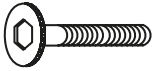

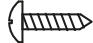


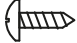



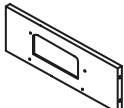
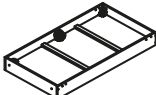


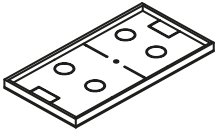

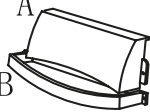

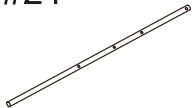





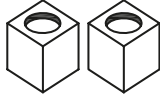
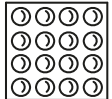
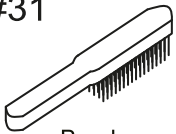

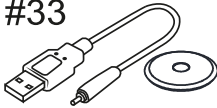
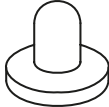
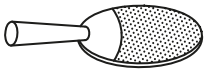
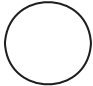
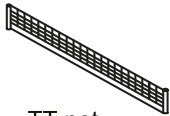

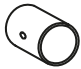
- Caution! Adult assembly required.
- Sharp point on screws; unpack and assemble with care. Keep small parts and polybags away from children during and after assembly. You need a wrench and screwdriver (not included) to assemble.

IMPORTANT!

Please keep your instructions. Before attempting assembly, please read through this instruction book to familiarise yourself with all the parts and assembly steps. Please refer to the Parts List and be sure that all parts have been included. If you have a problem with this product, we want to help.

For immediate assistance, please phone: +44 (0) 800 731 0006.

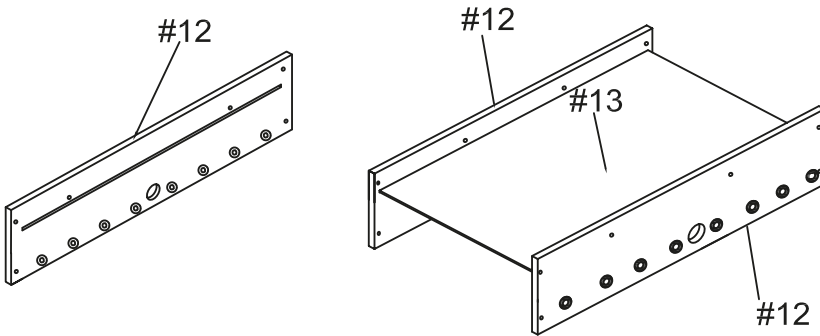
PARTS LIST:

<p>#1</p>  <p>28mm Bolt 12 pieces</p>	<p>#2</p>  <p>16mm Washer 12 pieces</p>	<p>#3</p>  <p>18mm Round head screw 18 pieces</p>	<p>#4</p>  <p>35mm Round head screw 12 pieces</p>	<p>#5</p>  <p>12mm Round head screw 8 pieces</p>
<p>#6</p>  <p>15mm Round head screw 8 pieces</p>	<p>#7</p>  <p>8mm Round head screw 8 pieces</p>	<p>#8</p>  <p>Allen key 1 piece</p>	<p>#9</p>  <p>Triangle 1 piece</p>	<p>#10</p>  <p>Playfield support brace 2 pieces</p>
<p>#11</p>  <p>End panel 2 pieces</p>	<p>#12</p>  <p>Side panel 2 pieces</p>	<p>#13</p>  <p>Playing field 1 piece</p>	<p>#14</p>  <p>Pool table 1 piece</p>	<p>#15</p>  <p>Left Leg 2 pieces</p>
<p>#16</p>  <p>Right Leg 2 pieces</p>	<p>#17</p>  <p>Hockey/Table tennis 1 piece</p>	<p>#18</p>  <p>Leg panel 2 pieces</p>	<p>#19</p>  <p>Goal 2 pieces</p>	<p>#20</p>  <p>Football 2 pieces</p>
<p>#21</p>  <p>3-Hole Rod 6 pieces</p>	<p>#22</p>  <p>2-Hole Rod 2 pieces</p>	<p>#23</p>  <p>Player - red 9 pieces</p>	<p>#24</p>  <p>Player - white 9 pieces</p>	<p>#25</p>  <p>Rod Washer 16 pieces</p>
<p>#26</p>  <p>Foam Bumper 16 pieces</p>	<p>#27</p>  <p>Rod handle 8 pieces</p>	<p>#28</p>  <p>Rod end cap 8 pieces</p>	<p>#29</p>  <p>Chalk 2 pieces</p>	<p>#30</p>  <p>Billiard ball 1 set</p>
<p>#31</p>  <p>Brush 1 piece</p>	<p>#32</p>  <p>Cue stick 2 pieces</p>	<p>#33</p>  <p>Power puck with USB cable 1Set</p>	<p>#34</p>  <p>Hockey pusher 2 pieces</p>	<p>#35</p>  <p>TT paddle 2 pieces</p>
<p>#36</p>  <p>TT ball 2 pieces</p>	<p>#37</p>  <p>TT net 1 piece</p>	<p>#38</p>  <p>Net post 2 pieces</p>	<p>#39</p>  <p>Stop ring 4 pieces</p>	

STEP 1

PART REQUIRED

2 PCS-#12 Side panel 1 PC-#13 Playing Field



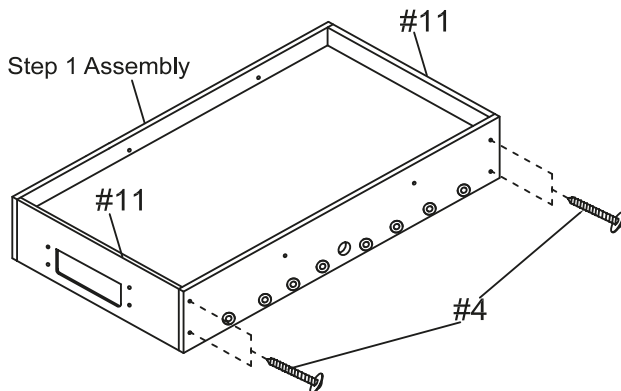
- Put #12 Side Panels x 2 pcs and #13 Playing Field up-side down, insert the #13 Playing Field into the groove on inside of #12 Side Panel .

Note: The groove on #12 Side Panel must face inward.

STEP 2

PART REQUIRED

1 PC-Step 1 Assembly 2 Pcs - # 11 End Panel 8 pcs-#4 Screw



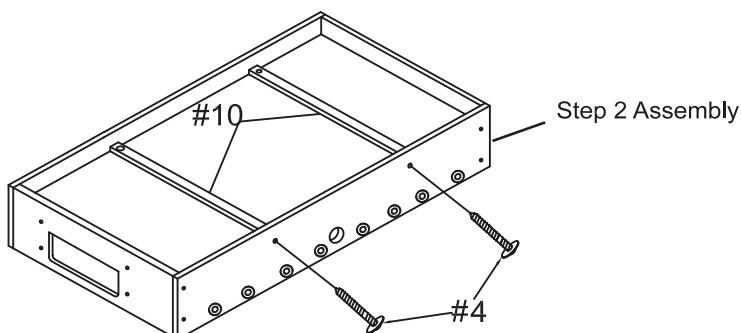
- Attach #11 End Panels x 2 pcs to Step-1 Assembly using #4 Screw x 2 pcs for each end to fix them together Repeat for all 4 ends .

Note: The groove on #11 End Panel must face inward.

STEP 3

PART REQUIRED

1 PC-Step 2 Assembly 2 Pcs - #10 Playfield Support Brace 4 pcs-#4 Screw



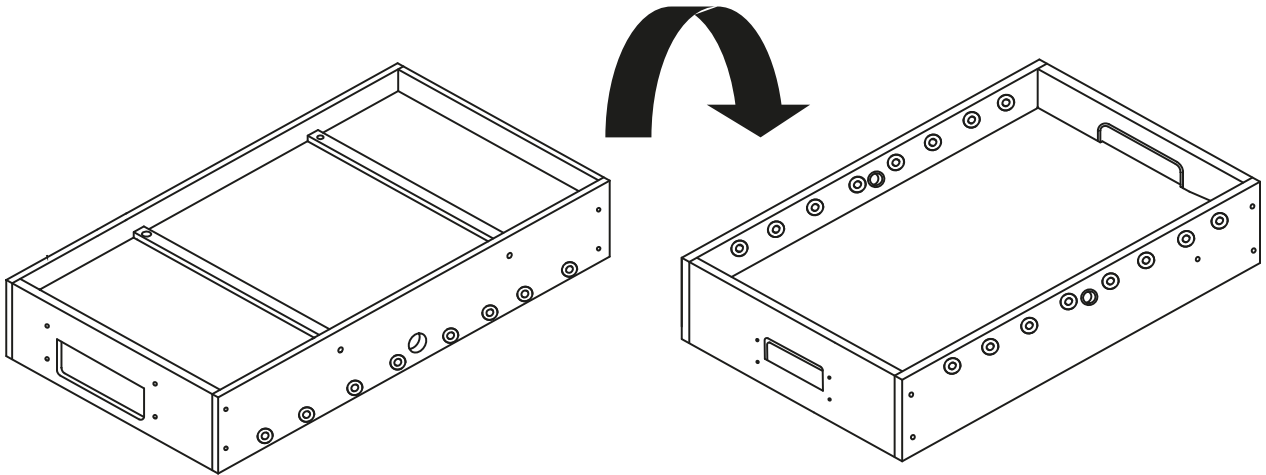
- Attach #10 Playfield Support Brace to Step-2 assembly by using #4 Screw x 2 pcs.

Repeat for the other side.

STEP 4

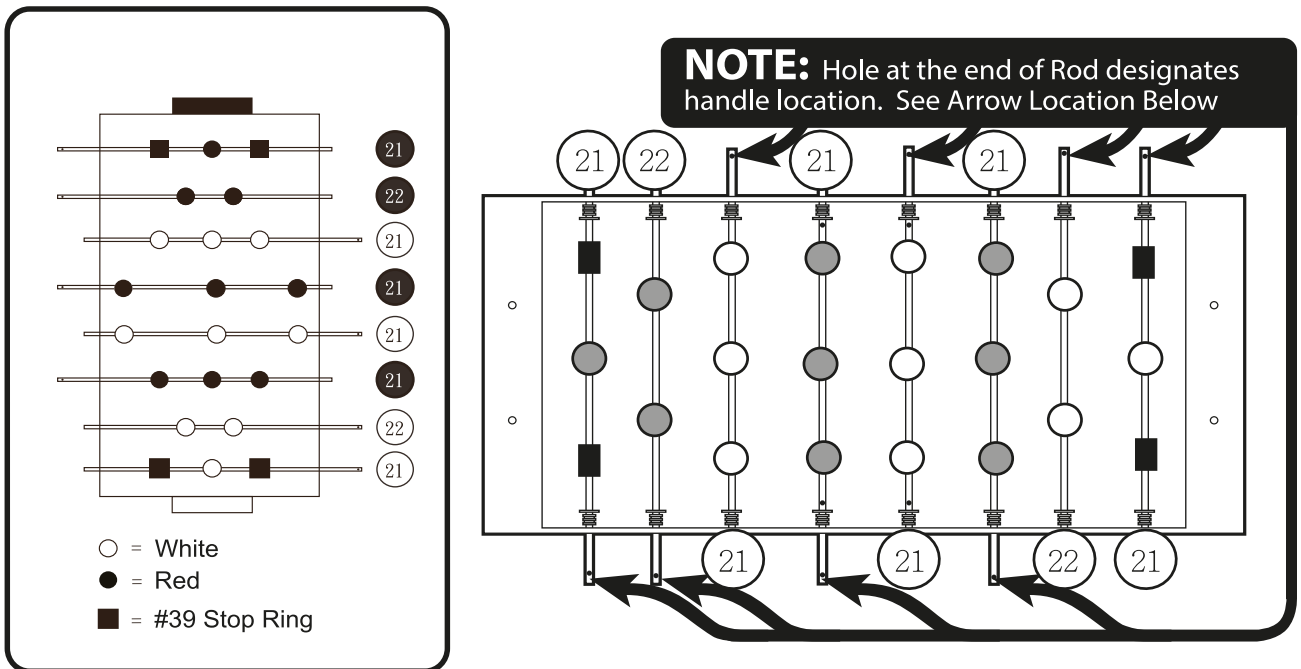
PART REQUIRED
1 PC-Step 3 Assembly

- Turn over the table to right position as shown.



STEP 5

Please study the diagram showing the location for players before applying the players.

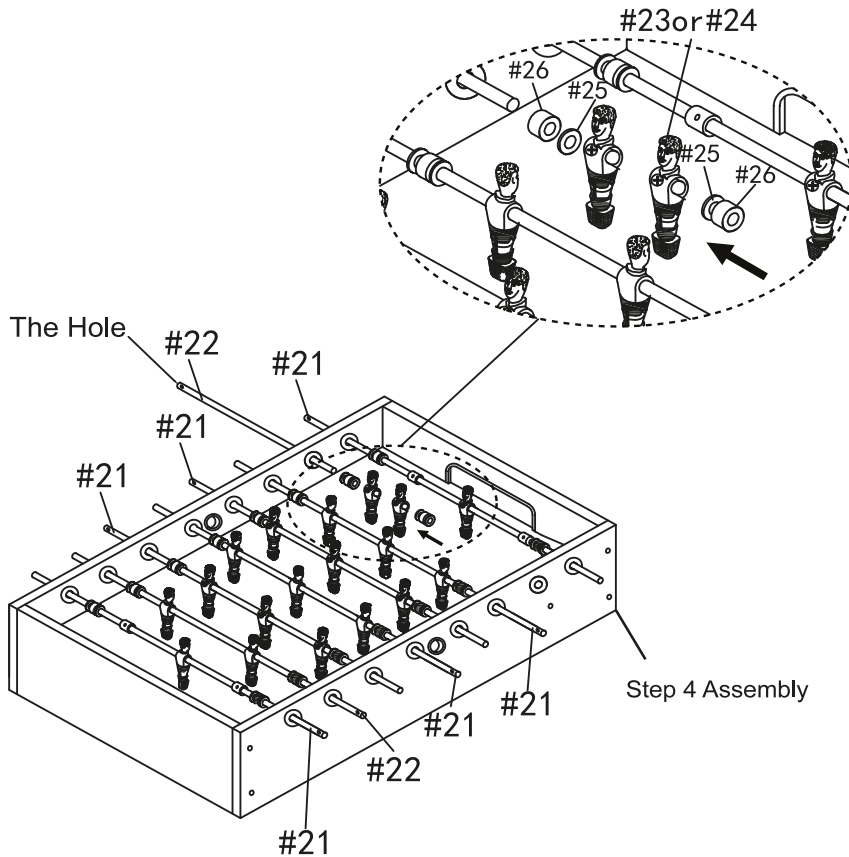


Note: White players should face to left and red players face to right.

STEP 6

PART REQUIRED

1 PC-Step 4 Assembly
 6 pcs - #21 3-Holes Rod 2 pcs-#22 2-Holes Rods 9 pcs-#23 Red Player
 9 pcs-#24 White Player 16 pcs-#25 Rod Washer 16 pcs-#26 Foam Bumper

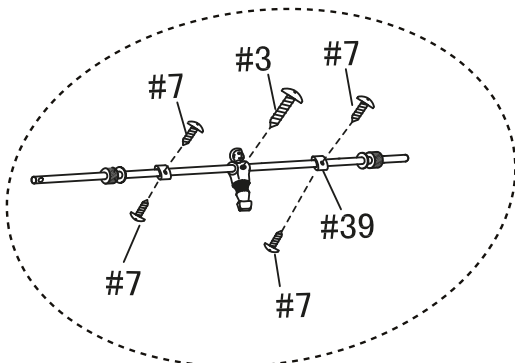


- Slide in the rod from outside to one end of side apron
- Put Bumper/washer/players /washer/bumper in order as shown.
- Slid in the rod from inside to the other end of side apron.
- Repeat for all 8 rods .

STEP 7

PART REQUIRED

1 PC-Step 6 Assembly 18 pcs- #3 Screw 8 pcs-#7 Screw



- Use #3 Screw x 1 pc to fix each player onto rod . Repeat for all 18 x players.
- Use #7 Screw x 2 pcs to fix each #39 Stop Ring , Repeat for all 4 x Stop Rings.

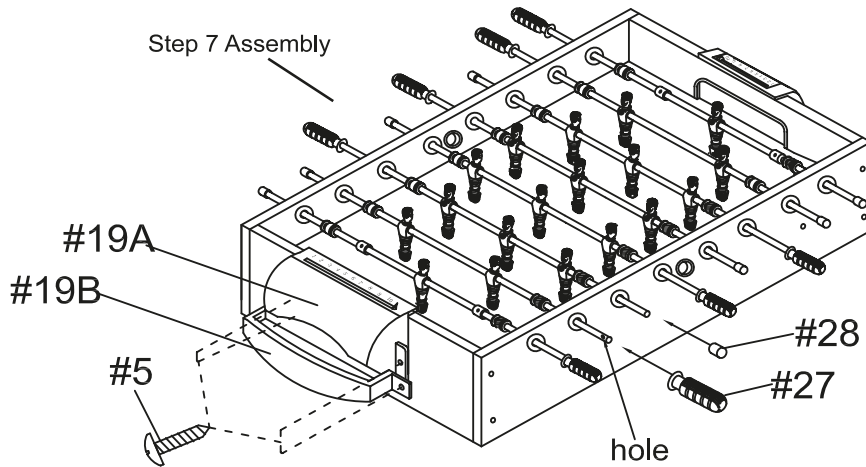
STEP 8

PART REQUIRED

1 PC-Step 7 Assembly
2 pc- #19 Goal

8 pcs- #27 Rod Handle
8 pcs-#5 Screw

8 pcs-#28 Rod End Cap



- Apply #27 Rod Hand to end of rod as shown .
Repeat for all 8 handles .
- Apply #28 Rod End Cap to end of rod as shown.
Repeat for all 8 Caps .
- Apply #19A/B Goal onto End Panel using #5 Screw x 4 pcs .
Repeat for the other goal.

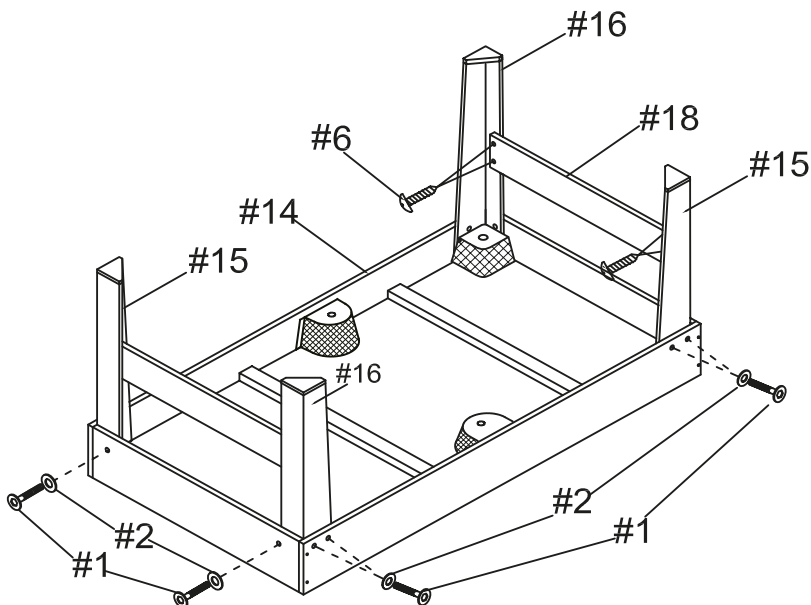
STEP 9

PART REQUIRED

1 PC-#14 Pool Table
12 pc- #1 Bolt

2 pcs- #15 Left Leg
12 pcs-#2 Washer

2 pcs-#16 Right Leg
8 pcs-#6 Screw

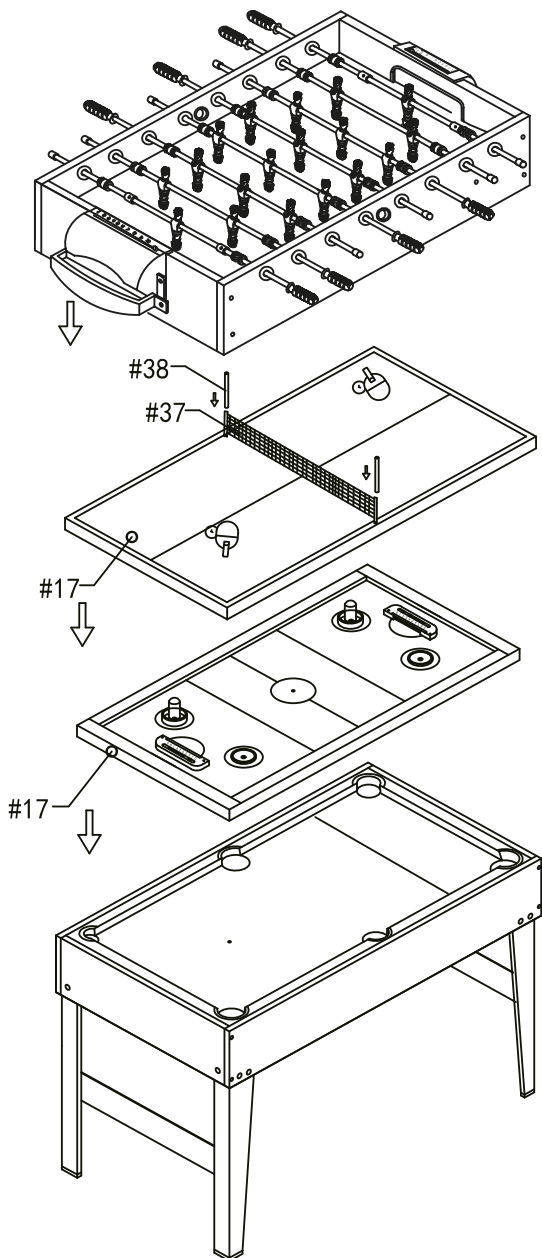
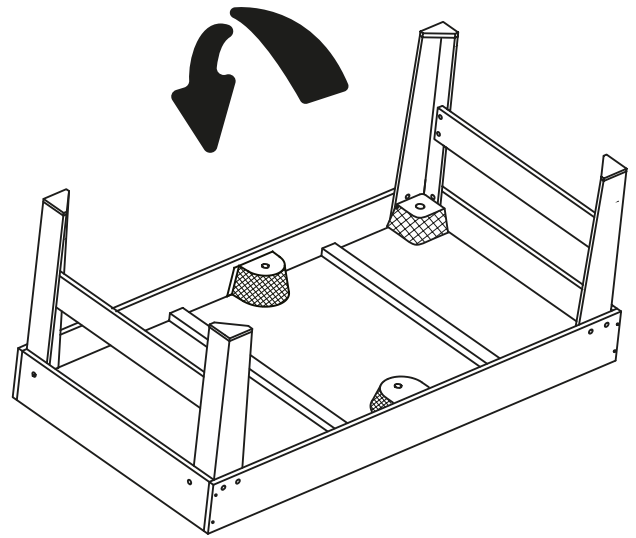


- Put #14 Pool Table Top up-side down.
- Apply Legs onto panels as shown using #1 Bolt x 2 pcs and #2 Washer x 2 pcs for long side , using #1 Bolt x 1 pc and #2 Washer x 1 pc for end side .
Repeat for all 4 legs.
- Apply each #18 Leg Panel to leg by using #6 Screw x 4 pcs .
Repeat for the other Leg Panel.

STEP 10

! Using at least 2 strong adults pick up and flip table over and place straight down. Avoid sideways pressure to Legs when flipping over.

DO NOT lean table on legs!



Please take care when changing games and always use at least two adults to change games.

Directions for the use of the Power Puck:

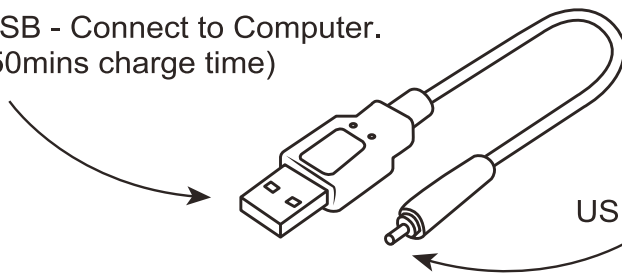
- To charge the Power Puck, remember to turn it off before connecting to a computer.
- Normal charging time is around 50 minutes.
- Please ensure you charge the Power Puck for a minimum of 1 hour for the first initial charge.
- To play with the Power Puck, please switch on the button under the puck.

ON / OFF SWITCH.
Turn to ON, to play.
Turn OFF to store, or charge.



CHARGE PORT.
Install USB charger here and
connect to computer to charge.

USB - Connect to Computer.
(50mins charge time)



USB - Connect to Power Puck.



**WARNING: Choking Hazard - This product contains small balls and / or small parts.
Not suitable for children under 3 years.**
- Caution! Adult assembly required.
- Sharp point on screws; unpack and assemble with care. Keep small parts and polybag away from children during and after assembly. You need a spanner and screwdriver (not included) to assemble.

Need help? Visit our website for replacement parts and product support www.hyprosports.com/contact
or call our customer service line on +44 (0) 800 731 0006

©Hy-Pro Sports

Manufactured by
Hy-Pro International
Hy-Pro House, Centrus Park, Arenson Way,
Dunstable, Bedfordshire, LU5 5BN, UK

Hy-Pro Europe
Cube Building, Monahan Road, Cork,
T12H1XY Republic Of Ireland.

Hy-Pro Asia
Room 1011, 10/F, Peninsula Centre,
67 Mody Road, Kowloon, Hong Kong

Made in China