

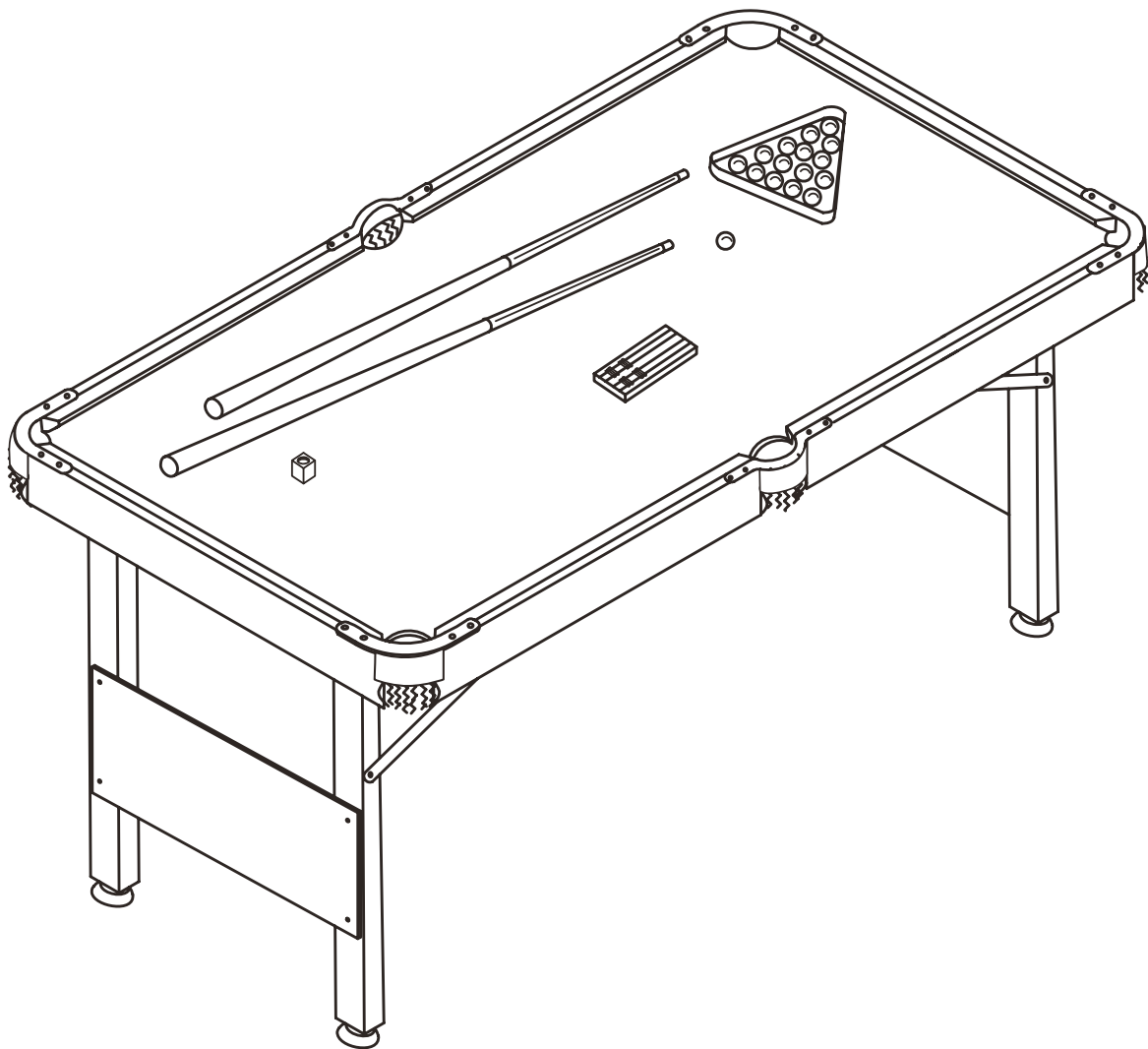


**HY-PRO®**

4ft 6in Snooker & Pool Table

# Assembly Instruction

Item No: HP03817



## IMPORTANT!

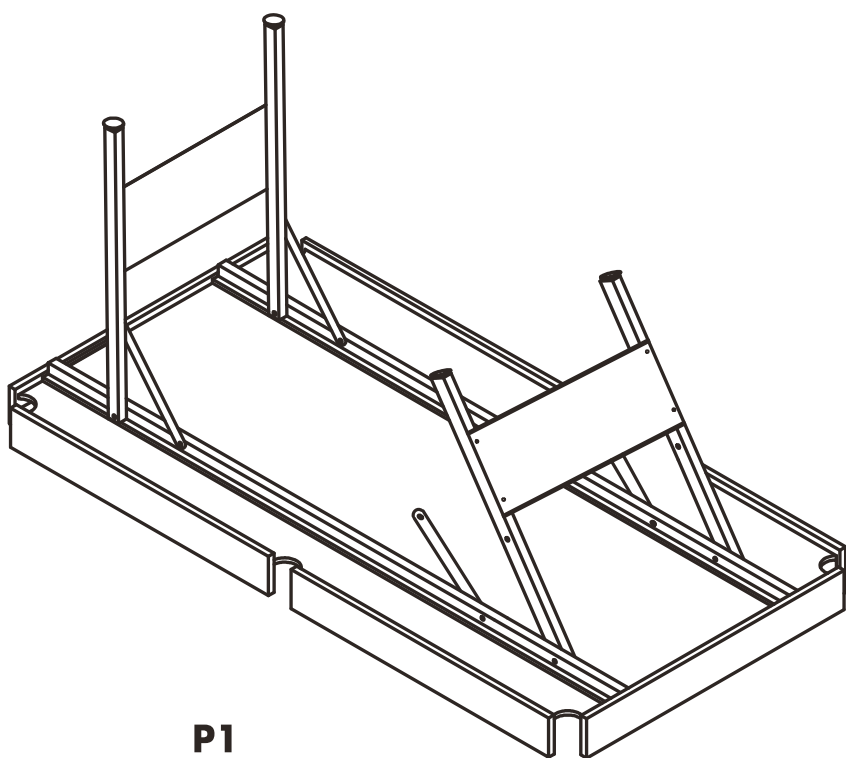


**Please keep your instructions.** Before attempting assembly, please read through this instruction book to familiarise yourself with all the parts and assembly steps. We recommended that two adults assemble this game. Please refer to the Parts List inside and be sure that all parts have been included. You will need a spanner and screwdriver (not included) to assemble.

If you have a problem with this product we want to help, for assistance, please call 0800 731 0006

## Part List:

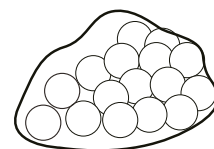
- P1** Main Assembly 1 Set
- P2** Chalk 2 Pieces
- P3** 32 Balls (17 pcs for Snooker, 15 pcs for Pool)
- P4** Cue Stick 2 Pieces
- P5** 15 Ball Triangle 1 Piece and 10 Ball Triangle 1 Piece
- P6** Scoreboard 1 Piece
- H1** Bolt 4 Pieces
- H2** Screw 24 Pieces



**P1**



**P2**



**P3**



**P4**



**P5**



**P6**



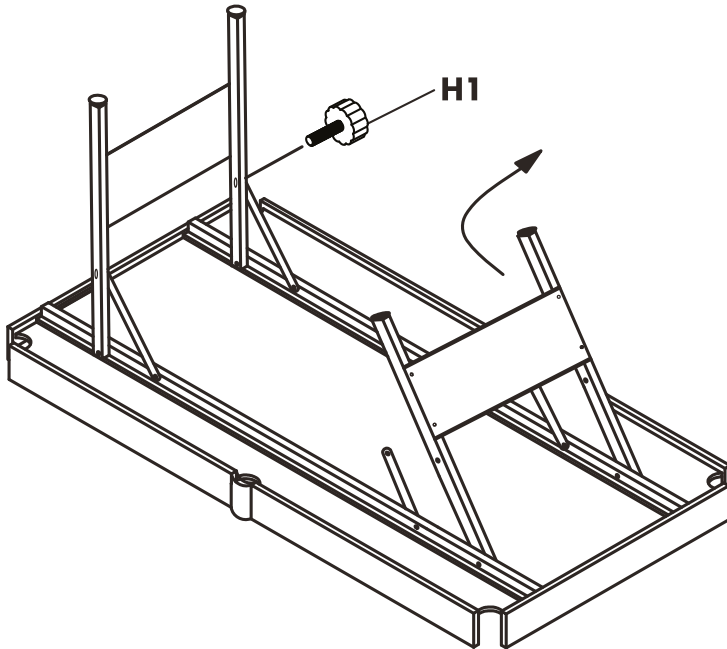
**H2**



**H1**

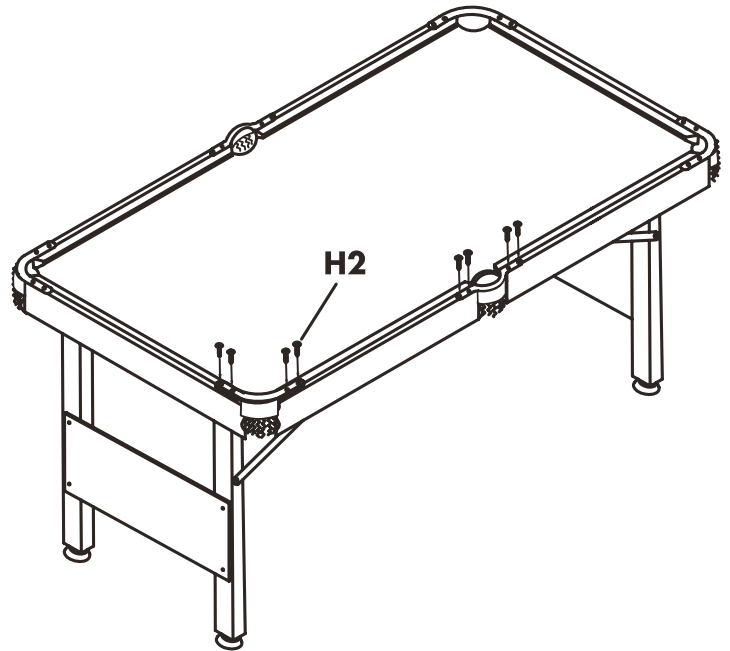
## Step 1

Lay table on the floor with the playing surface facing down. Unfold legs from the base of the table one at a time and screw bolt H1 through the leg and leg support until secure.



## Step 2

Once the legs have been secured in to place turn table over using two adults. Secure the pockets to the table using the screws provided.



### Care and maintenance

Please ensure the table is moved by two adults, dragging the table can result in damage to the legs. The cloth should only be cleaned by using the brush provided. Never use any type of liquid to clean the cloth. Please retain this leaflet for future reference.



**WARNING: Choking Hazard - This product contains small balls and / or small parts. Not suitable for children under 3 years.**

- Caution! Adult assembly required.
- Sharp point on screws; unpack and assemble with care. Keep small parts and polybag away from children during and after assembly. You need a spanner and screwdriver (not included) to assemble.

**Need help?** Visit our website for replacement parts and product support [www.hy-pro.co.uk/games-tables](http://www.hy-pro.co.uk/games-tables) or call our customer service line on 0800 731 0006

©Hy-Pro Sports 2018

Manufactured by  
Hy-Pro International  
Hy-Pro House, Centrus Park, Arenson Way,  
Dunstable, Bedfordshire, LU5 5BN, UK

Unit 16-37, 5/F, Beverley Commercial Centre  
NO 87-105 Chatham Road South  
Tsim Sha Tsui, Kowloon, Hong Kong

Made in China