



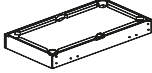
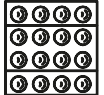



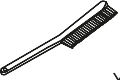

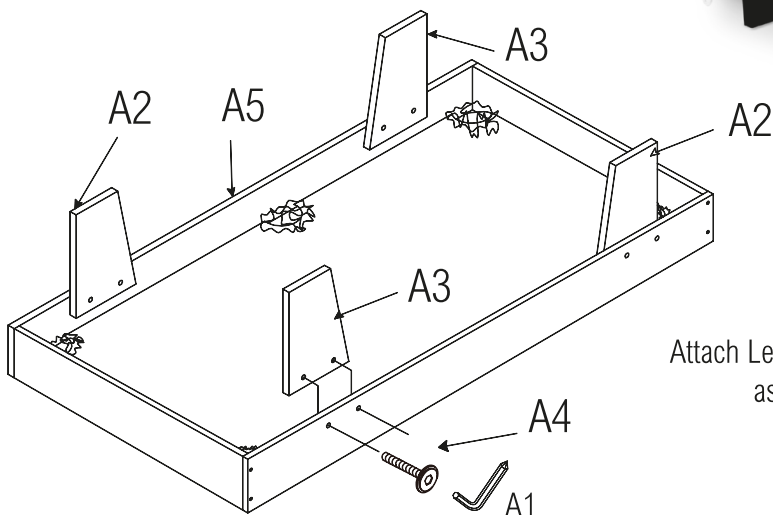


3FT POOL TABLE

Assembly Instructions

Item No: HP08178

A1  x1 Allen Key	A2  x2 Right Leg	A3  x2 Left Leg	A4  x8 Bolt	A5  x1 Table Top	Z1  x1 Pool Balls Set	Z2  x2 Cue
Z3  x1 Triangle	Z4  x1 Chalk	Z5  x1 Brush				



Attach Legs (A2) and Legs (A3) to the Table Top (A5) as shown, using Allen Key (A1) and Bolt (A4)



Warning: Not suitable for children under 3 years due to small parts and small balls - CHOKING HAZARD

- Caution! Adult assembly required.
- Sharp point on screws; unpack and assemble with care. Keep small parts and polybags away from children during and after assembly.

IMPORTANT!

Please keep your instructions. Before attempting assembly, please read through this instruction book to familiarise yourself with all the parts and assembly steps. Please refer to the Parts List and be sure that all parts have been included. Should you have a query, please email: info@hy-pro.co.uk
www.hy-pro.co.uk www.hyprosports.com

©Hy-Pro Sports

Manufactured by
Hy-Pro International
Hy-Pro House, Centrus Park, Arenson Way,
Dunstable, Bedfordshire, LU5 5BN, UK

Hy-Pro Europe
Cube Building, Monahan Road, Cork,
T12H1XY Republic Of Ireland.

Hy-Pro Asia
Room 1011, 10/F, Peninsula Centre,
67 Mody Road, Kowloon, Hong Kong
Made in China