

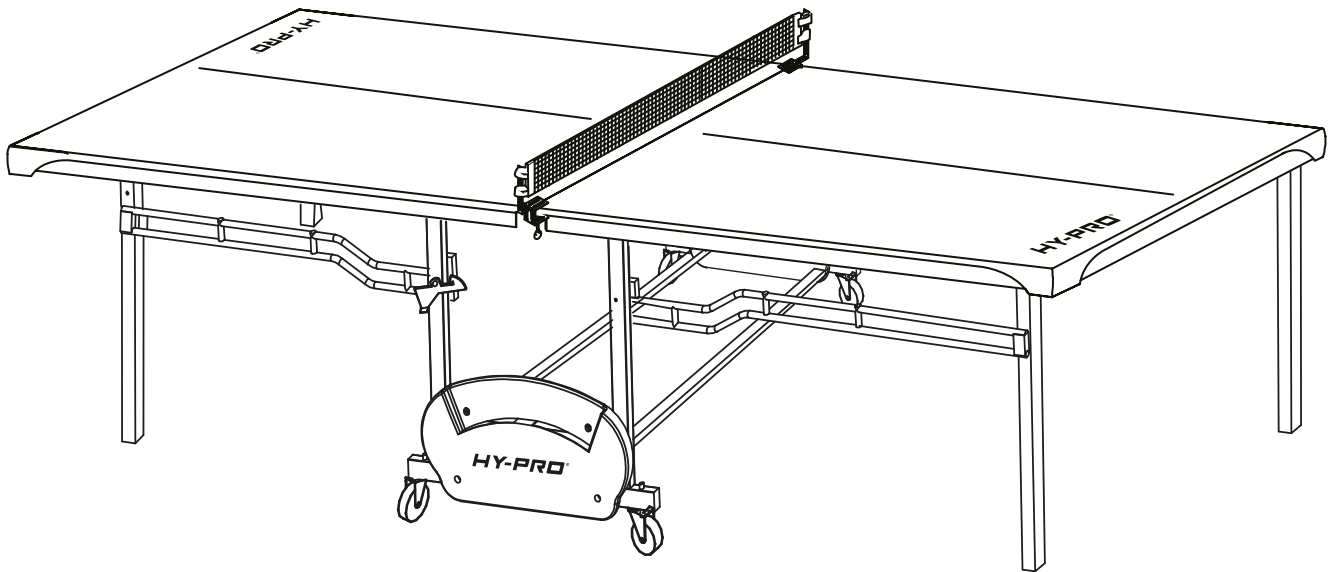
HY-PRO®

SIDE SPIN

9FT Folding Table Tennis Table

Assembly Instruction

Item No: HP06110



WARNING
DO NOT LET CHILDREN PLAY
ON OR NEAR THE TABLE WHEN
THE TABLE IS IN THE VERICAL
STORAGE POSITION



IMPORTANT
BE VERY CAREFUL WHEN
MOVING THE TABLE ON A
SLOPED SURFACE

DO NOT LET CHILDREN FOLD OR UNFOLD THIS TABLE. THIS SHOULD ONLY BE PERFORMED BY AN ADULT. WHEN UNFOLDING, NEVER LET THE TABLE DROP UNSUPPORTED, HOLD THE TABLE SECURELY AND LOWER SLOWLY UNTIL SECURE.

IMPORTANT!

Please keep your instructions. Before attempting assembly, please read through this instruction book to familiarise yourself with all the parts and assembly steps.

We recommended that two adults assemble this game. Please refer to the Parts List inside and be sure that all parts have been included. You will need a philips screwdriver (not included) to assemble. Do not overtightening screws at moving parts, careful testing of functionality immediately after completing the assembly.

If you have a problem with this product we want to help, for assistance, please call 0800 731 0006



WARNING: Choking Hazard--This Product contains small balls and/or small parts. Not for children under 3 years.

-Caution! Adult assembly required.

-Sharp point on screws; unpack and assemble with care. Keep small parts and polybag away from children during & after assembly. You will need a wrench and screwdriver (not included) to assemble.

BEFORE YOU START:

Important – Please read fully before assembly or using

To reduce the risk of serious injury, read the entire manual before you assemble or operate this HYPRO Table Tennis Table. In particular, note the following safety precautions:

Assembly

- Check you have all the components and tools listed, bearing in mind that, for ease of assembly, some components are pre-assembled.
- Keep children and animals away from the work area, small parts could choke if swallowed.
- Make sure you have enough space to layout the parts before starting.
- Assemble the item as close to its final position as possible.
- Position the equipment on a clear, level surface.
- Dispose of all packaging carefully and responsibly.
- This item is heavy and requires two adults to assemble, lift or manoeuvre.

WARNING.

- Keep away from Fire.
- Check regularly for wear and tear. Discontinue use if weakening or breakage is found.
- Failure to comply with these precautions and assembly instructions may result in injury. Do not allow children to climb/sit on the table.
- Do not place heavy objects on the table as this may cause damage or injury.
- This table should be opened and closed under adult supervision. Non-compliance with proper opening and closing procedures could result in personal injury and/or damage to your table.

Using

- This table is suitable for indoor and outdoor use, but must be stored indoors when not in use.
- It is the responsibility of the owner to ensure that all users of this product are properly informed of how to use it safely.
- This product is intended for domestic use only. Do not use in any commercial, rental, or institutional setting.
- Before using the equipment to exercise, always do stretching exercises to properly warm up.
- If the user experiences dizziness, nausea, chest pain, or other abnormal symptoms stop the workout and seek immediate medical attention.
- Keep hands away from all moving parts.
- Always wear appropriate workout clothing when exercising. Do not wear loose or baggy clothing, since it may get caught in the equipment. Wear athletic shoes to protect your feet while exercising.
- Do not place any sharp objects around the equipment.
- Surface wipe clean only. Any broken parts must be replaced.

This product conforms to BS EN 14468 Class D - Recreational sports.

IMPORTANT. BE VERY CAREFUL WHEN FOLDING AWAY TABLES FOR TRANSPORTATION.



Warning: Before beginning any exercise program, consult your Doctor. This is especially important for persons over the age of 35 or persons with pre-existing health problems. You **MUST** read all instructions before using this equipment. Argos and its associates assumes no responsibility for personal injury or property damage sustained by or through the use of this product.

Need help? Visit our website for replacement parts and product support www.hyprosports.com or call our customer service line on 0800 731 0006

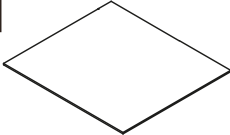
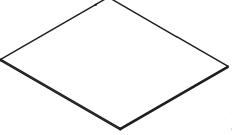
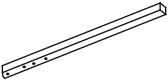
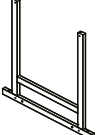
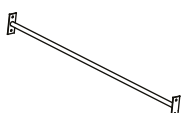
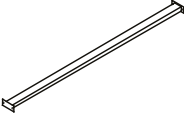
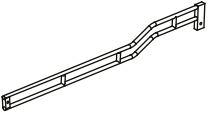



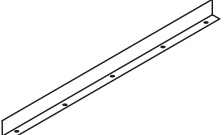
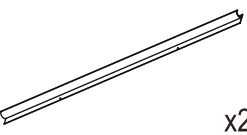

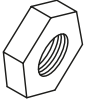
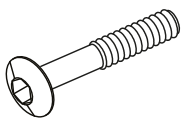

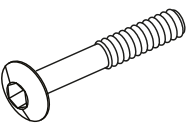
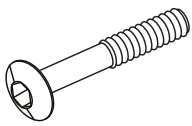
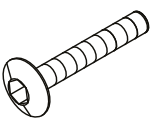
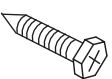
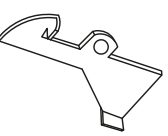
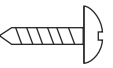
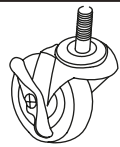

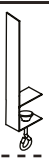
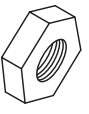
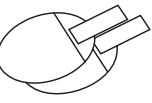
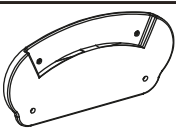
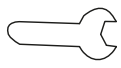


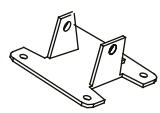
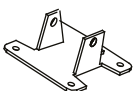
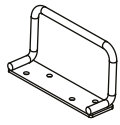

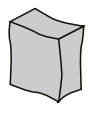
©Hy-Pro Sports 2018

Manufactured by
Hy-pro International
Hy-Pro House, Centrus Park, Arenson Way,
Dunstable, Bedfordshire, LU5 5BN, UK

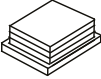
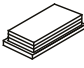

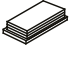
Unit 16-37, 5/F, Beverley Commercial Centre
NO 87-105 Chatham Road South
Tsim Sha Tsui, Kowloon, Hong Kong

Made in China

Parts List:










| | | | | | | | |
|-------------------|--|---------------------|---|---------------------|--|---------------|---|
| 1 |  x1 | 2 |  x1 | 3 |  x4 | 4 |  x2 |
| Table Surface - 1 | | Table Surface - 2 | | Leg | | Caster Frame | |
| 5 |  x2 | 6 |  x2 | 7 |  x4 | 8 |  x64 |
| Linkage Tube - 5 | | Bottom Support Tube | | Linkage Tube - 7 | | 6mm Washer | |
| 9 |  x4 | 10 |  x1 | 11 |  x4 | 12 |  x2 |
| Plastic Corner | | Allen Key | | Side Apron | | End Apron | |
| 13 |  x8 | 14 |  x32 | 15 |  x14 | 16 |  x2 |
| Spacer | | 6mm Nut | | M6x50mm Bolt | | "T" Washer | |
| 17 |  x2 | 18 |  x4 | 19 |  x12 | 20 |  x32 |
| M6x55mm Bolt | | 6x65mm Bolt | | 6x35mm Bolt | | 5x13mm Screw | |
| 21 |  x2 | 22 |  x61 | 23 |  x4 | 24 |  x1 |
| Gravity Lock | | 4 x 12mm Screw | | Caster with Lock | | Net | |
| 25 |  x2 | 26 |  x4 | 27 |  x2 | 28 |  x2 |
| Net Post | | 10mm Nut | | Table Tennis Paddle | | Plastic Panel | |
| 29 |  x1 | 30 |  x1 | 31 |  x2 | 32 |  x4 |
| Wrench | | Safety Strap-Long | | Safety Strap-Short | | Big Bracket | |
| 33 |  x4 | 34 |  x2 | 35 |  x2 | 36 |  x1 |
| Small Bracket | | Handle | | Table Tennis Ball | | Table Cover | |

PRE-INSTALLED PARTS

| | | | |
|--|--|--|--|
| <p>A1</p>  <p>x4</p> <p>Leg #3 Cap</p> | <p>A2</p>  <p>x4</p> <p>Caster Frame Cap</p> | <p>A3</p>  <p>x8</p> <p>Linkage Tube Cap</p> | <p>A4</p>  <p>x8</p> <p>Linkage Tube Cap</p> |
|--|--|--|--|

ASSEMBLY INSTRUCTIONS:

1. Find a clean, level place to begin the assembly of your Air Hockey Table. The table will be assembled upside down and then turned over on its legs once the assembly is completed. This game table is heavy, and turning it over will require at least two strong adults.
2. Remove all the parts from the box and verify that you have all of the listed parts as shown on the parts list page. Carefully cut or tear the four corners of the box so that the bottom of the box can be used as your work surface.

| | | |
|----|---|------|
| 1 |  | X 1 |
| 2 |  | X 1 |
| 20 |  | X 32 |
| 22 |  | X 11 |
| 30 |  | X 1 |
| 31 |  | X 2 |
| 32 |  | X 4 |
| 33 |  | X 4 |
| 34 |  | X 2 |

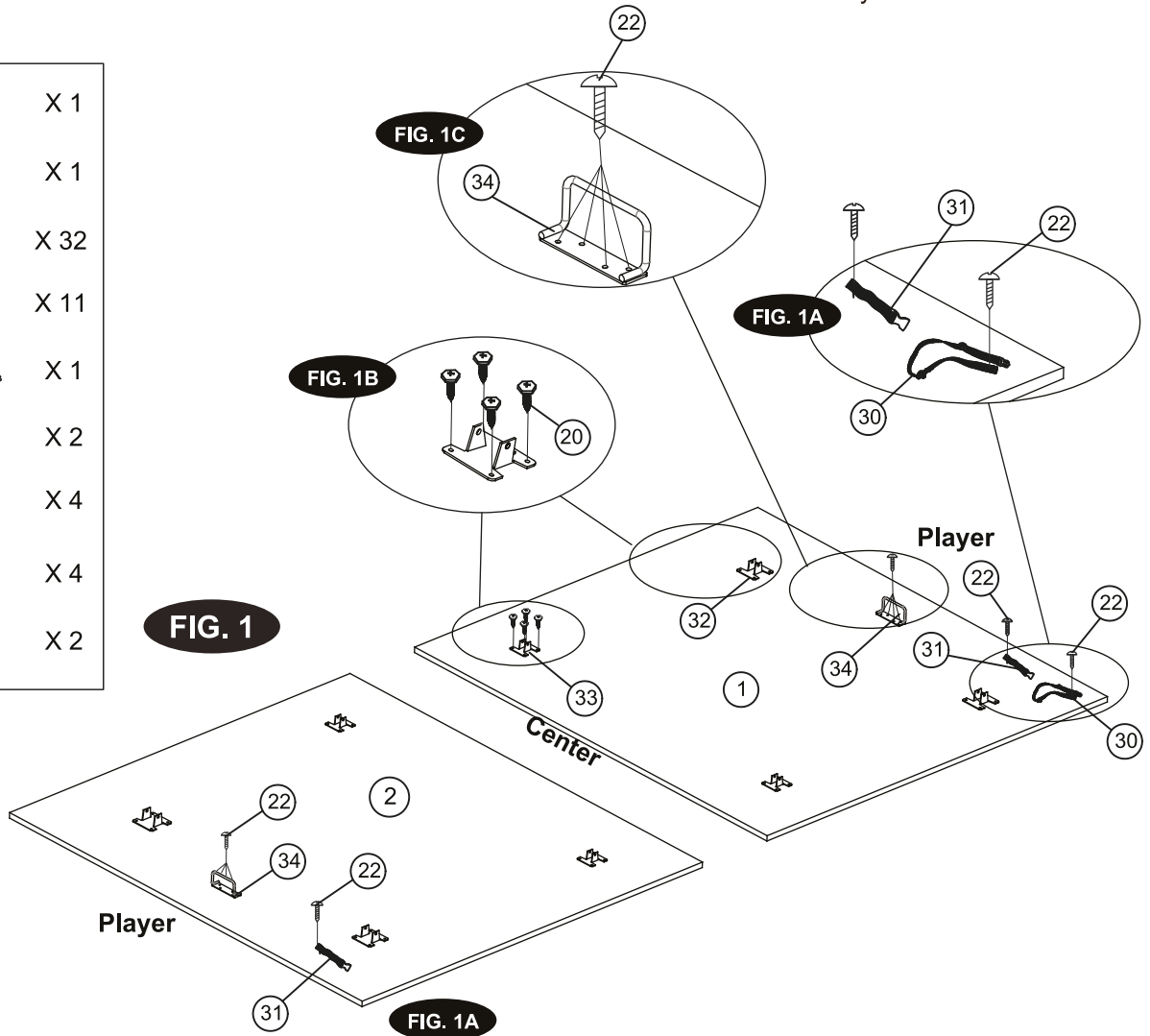


FIG.1

3. Place Table Surface #1 and Table Surface #2 with the painted surface facing down on a flat surface.

Make sure Center of table surface face inward.

4. Attach Safety Strap – Long (#30) and 2 Safety Strap -Short (#31) to Table Surface #1 and #2 using three Screws (#22). **See FIG. 1A.**
5. Attach Small Bracket (#33) near center side of table surface and Big Bracket (#32) near player side of table surface using four Screws (#20) per Bracket. **See FIG. 1B.**
6. Attach one Handle (#34) to each board using four Screws (#22). **See FIG. 1C.**

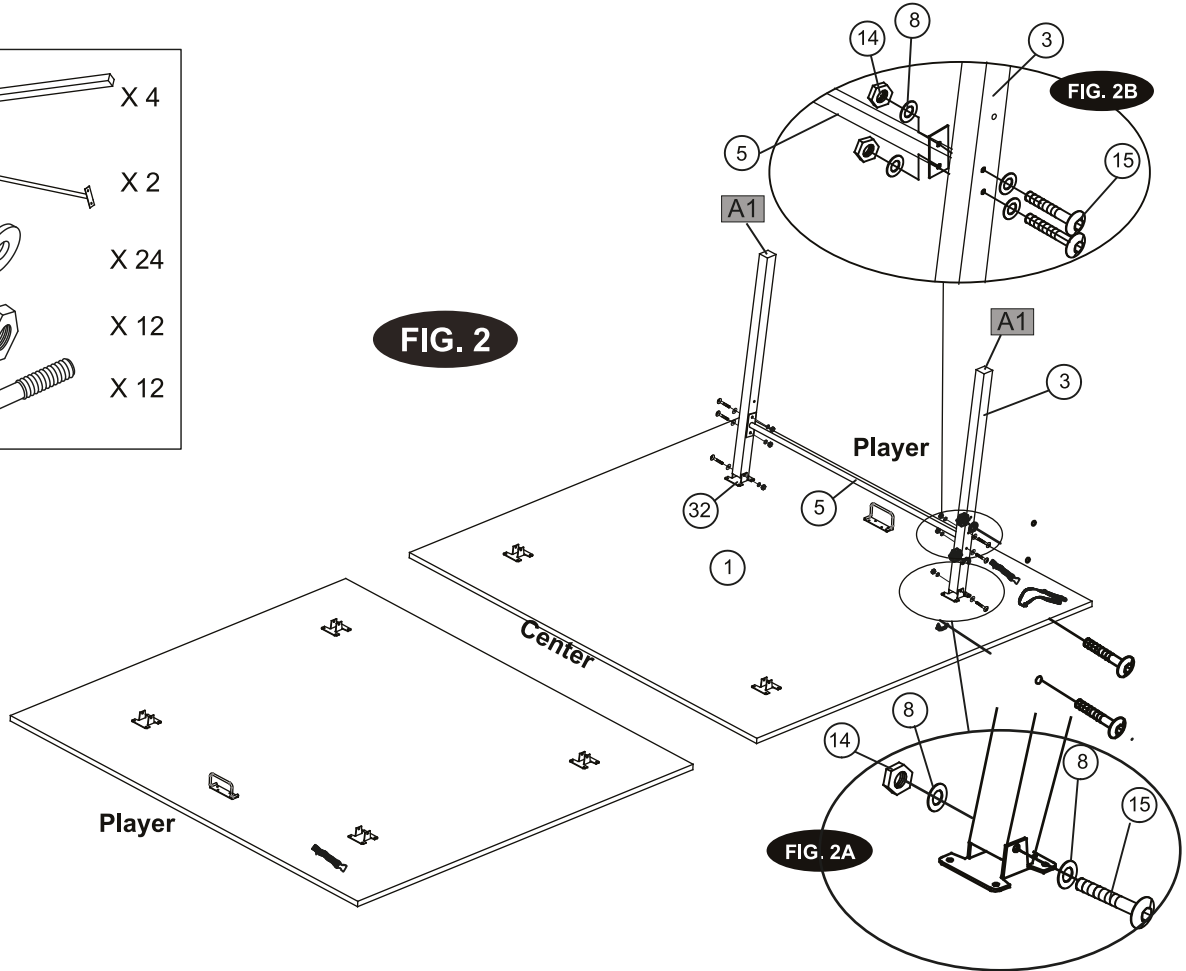
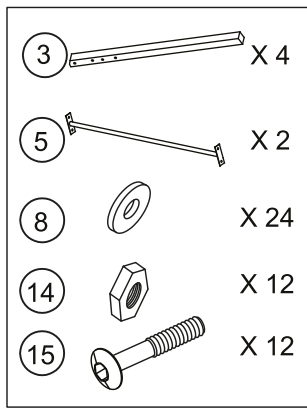


FIG. 2

7. Attach a Leg (#3) to Big Brackets (#32) using one Bolt (#15), two Washers (#8) and one Nut (#14) per Leg. **See FIG. 2A.**

8. Attach a Linkage Tube (#5) to the legs (#3) using four Bolts (#15), eight Washers (#8) and four Nuts (#14) per Linkage Tube - 5. **See FIG. 2B.**
Repeat for both sides.

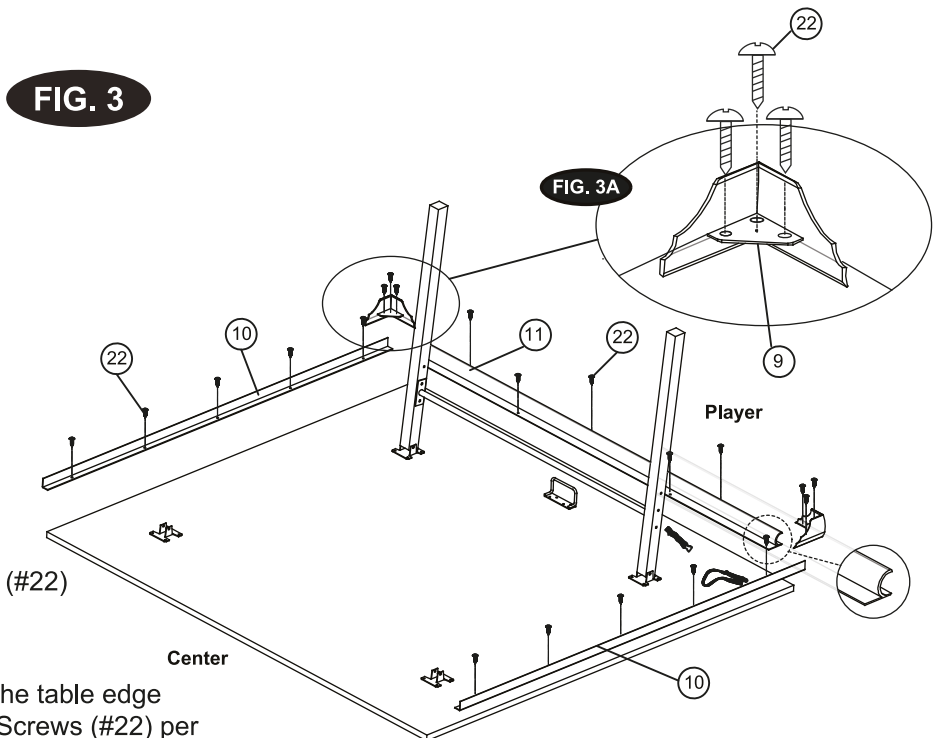
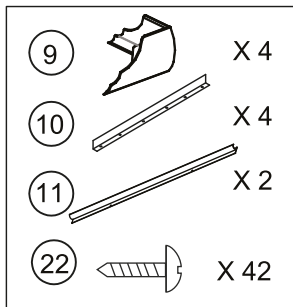


FIG. 3

9. Place one Plastic Corner (#9) flush with table corner, and then slide end apron (#11) and side apron (#10) between the plastic Corner (#9) and playing surface. Using three Screws (#22) per Corner. **See FIG. 3A**

10. Secure End Apron (#11) flush with the table edge at the Player end of table using five Screws (#22) per End Apron. **See FIG. 3.**

11. Secure Side Apron (#10) flush with table edge using five Screws (#22) per Side Apron. **See FIG. 3.**

12. Repeat above steps for other Table Surface. **NOTE: Make sure all Aprons are inside the Plastic Corners.**

| | | |
|----|--|------|
| 4 | | X 2 |
| 6 | | X 2 |
| 8 | | X 16 |
| 14 | | X 8 |
| 19 | | X 8 |
| 23 | | X 4 |
| 26 | | X 4 |

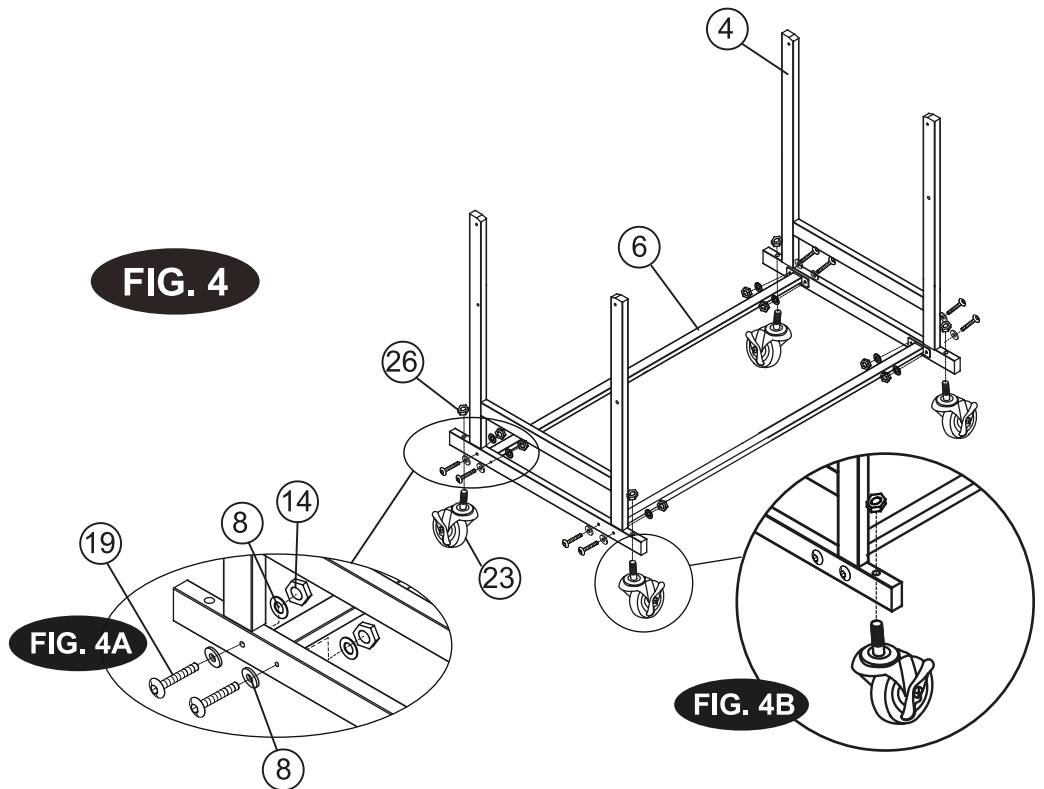


FIG.4

13. Attach a Bottom Support Tube (#6) to 2 Caster Frame (#4) using four Bolts (#19), eight Washers (#8) and four Nuts (#14) per Bottom Support Tube. **See FIG. 4A.**

14. Attach a Caster with Lock (#23) to the Caster Frame (#4) using one Nut (#26) per Caster with Lock. **See FIG. 4B.**

| | | |
|----|--|-----|
| 7 | | X 4 |
| 8 | | X 8 |
| 13 | | X 4 |
| 14 | | X 4 |
| 15 | | X 2 |
| 16 | | X 2 |
| 17 | | X 2 |
| 21 | | X 2 |

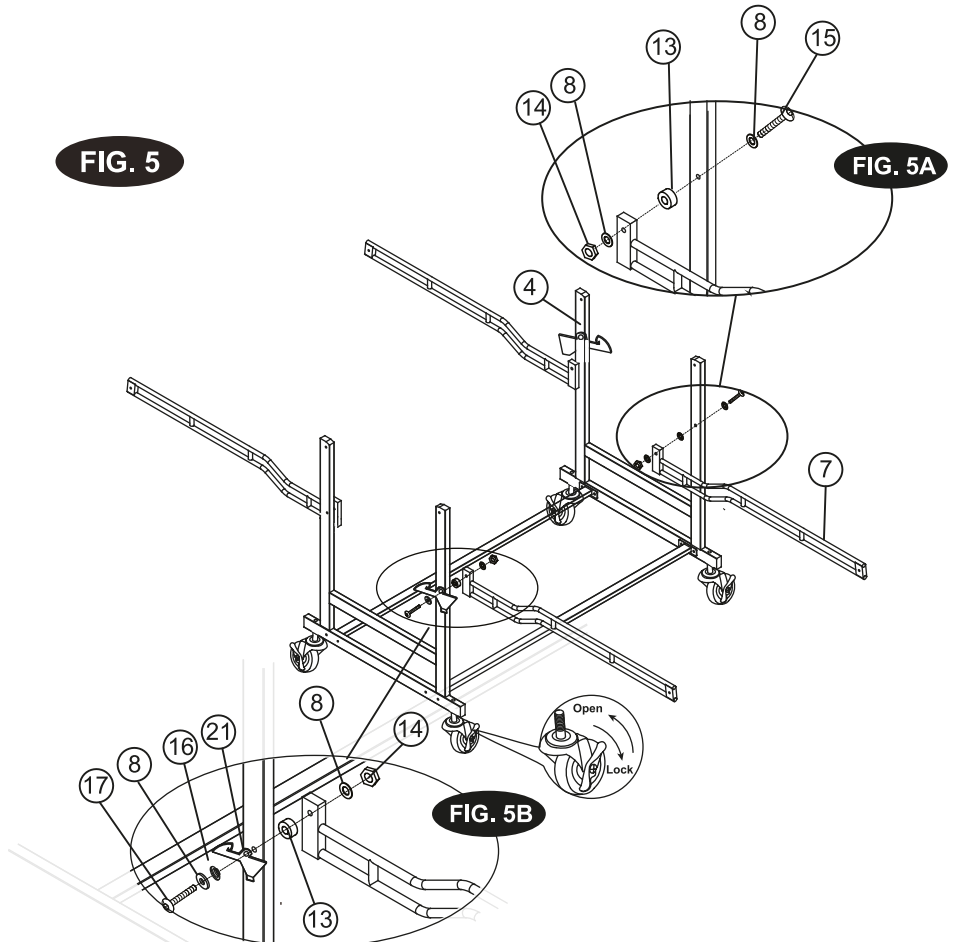


FIG.5

15. Attach one Linkage Tube (#7) to the Caster Frame (#4) using one Bolt (#15), two Washers (#8), one Spacer (#13) and one Nut (#14) per Linkage Tube - 7. Repeat for the other Linkage Tube. **See FIG. 5A.**

16. Attach one Linkage Tube (#7) and one Gravity Lock (#21) to the Caster Frame (#4) using one Bolt (#17), two Washer (#8), one "T" Washer (#16), one Spacer (#13) and one Nut (#14) per Gravity Lock. Repeat for the other Linkage Tube. **See FIG.5B. Note: Please make sure the casters are locked. Do not overtightening screws at gravity lock otherwise it will affect the auto lock function when fold the table surface.**

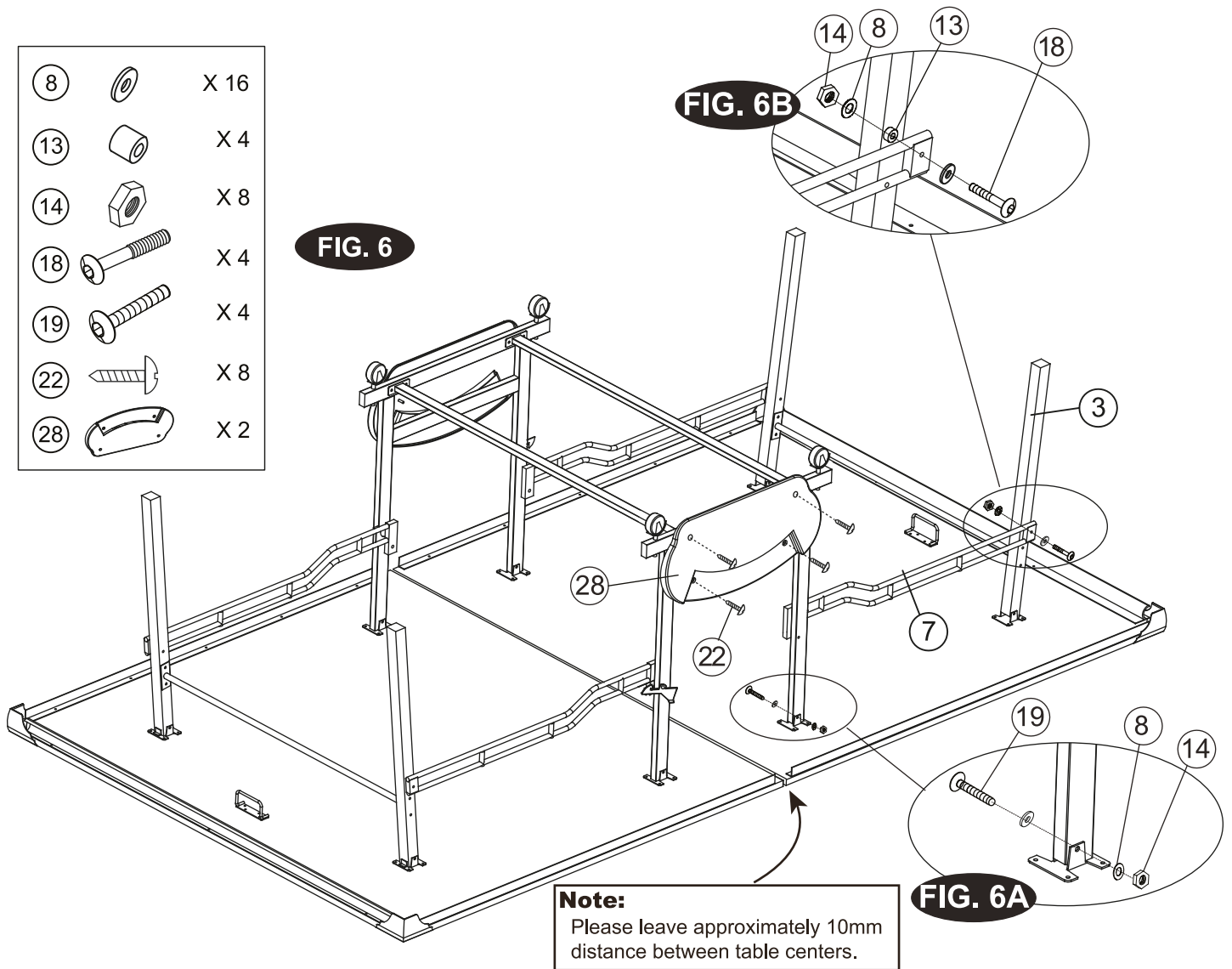


FIG.6

17. Turn over the pre-assembled Caster Frame (see FIG. 6), then attach tubes into small Brackets(#33) using one Bolt (#19), 2 washers(#8) and one Nut(#14). Repeat for all four tubes.
See FIG. 6A

18. Attach the Linkage Tube (#7) to the Leg (#3) using one Bolt (#18), two Washers (#8), one Spacer (#13) and one Nut (#14) per Linkage Tube - 7. Repeat for all Linkage Tubes. See FIG. 6B

19. Attach Plastic Panel (#28) to the Caster Frame (#4) using four Screws (#22) per frame.
See FIG. 6.

Now go back and tighten all connections.

Note: At least three adults are required to move the table halves for safety.

FIG.7

Please follow Figures 7A to 7G to turn the table over with three adults.

FIG. 7A

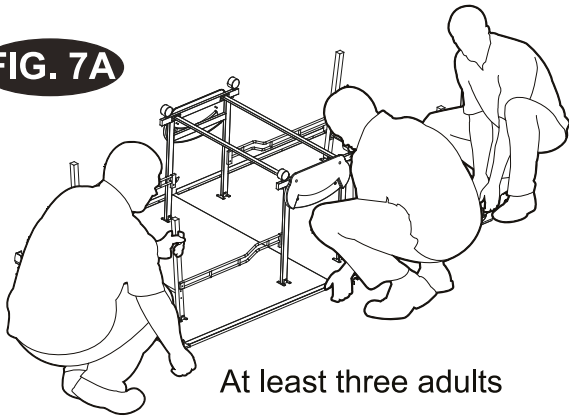


FIG. 7B

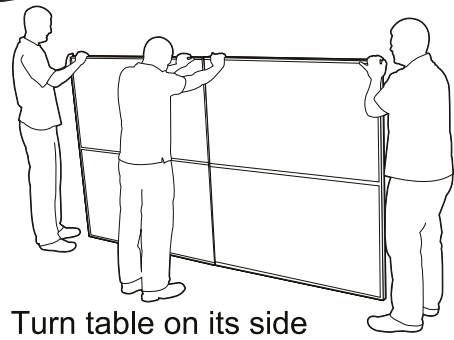


FIG. 7C

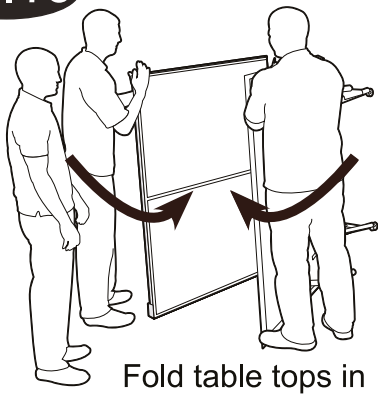


FIG. 7D

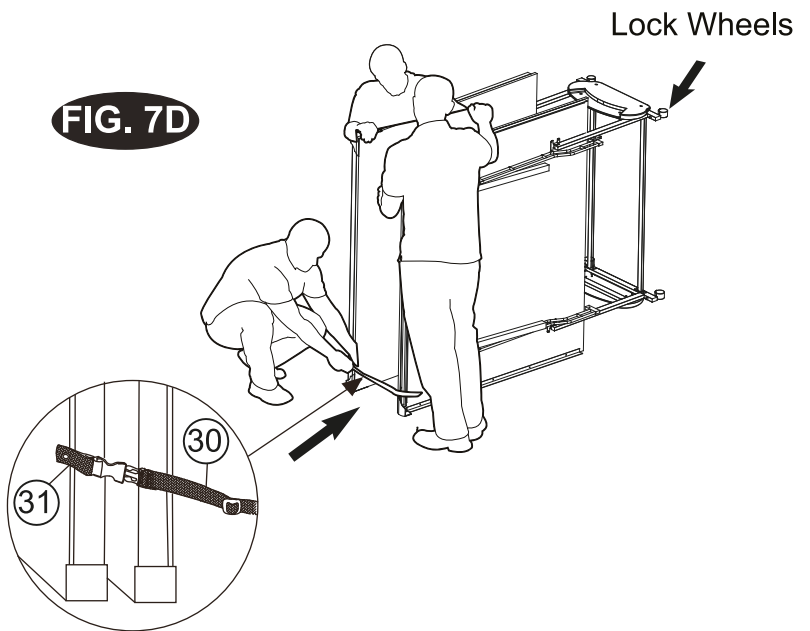


FIG. 7E

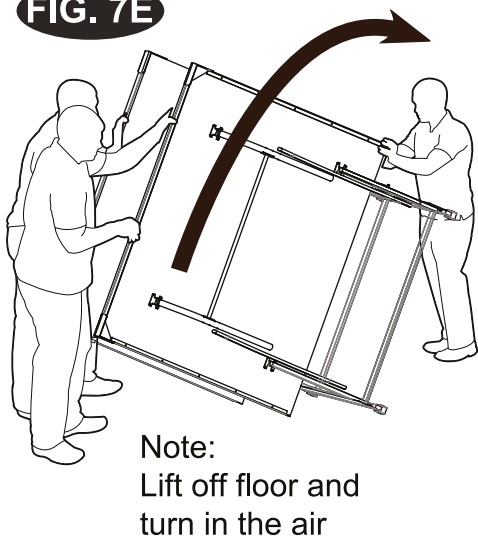


FIG. 7F

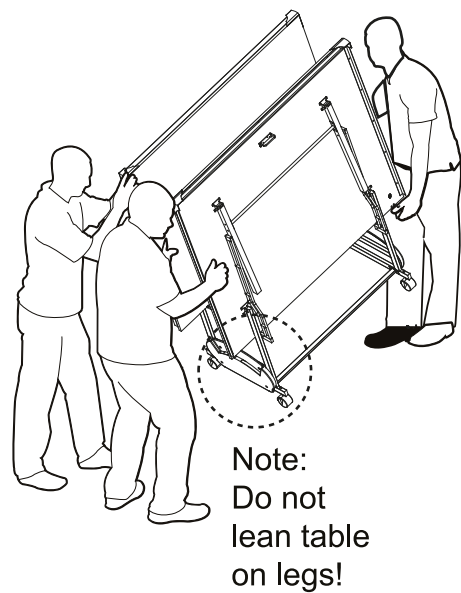
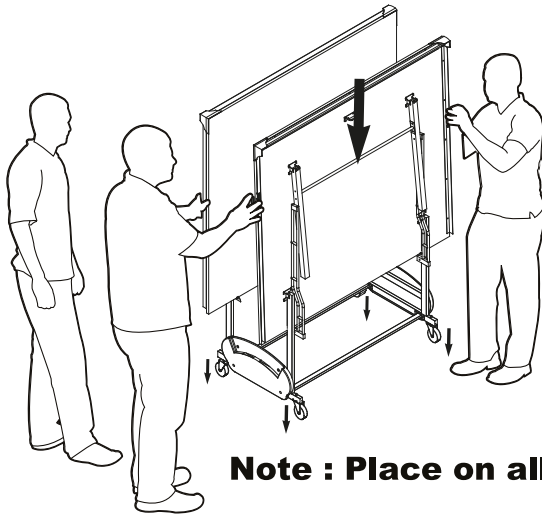


FIG. 7G



Note : Place on all 4 wheels at once

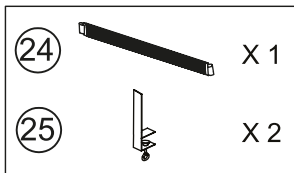


FIG. 8

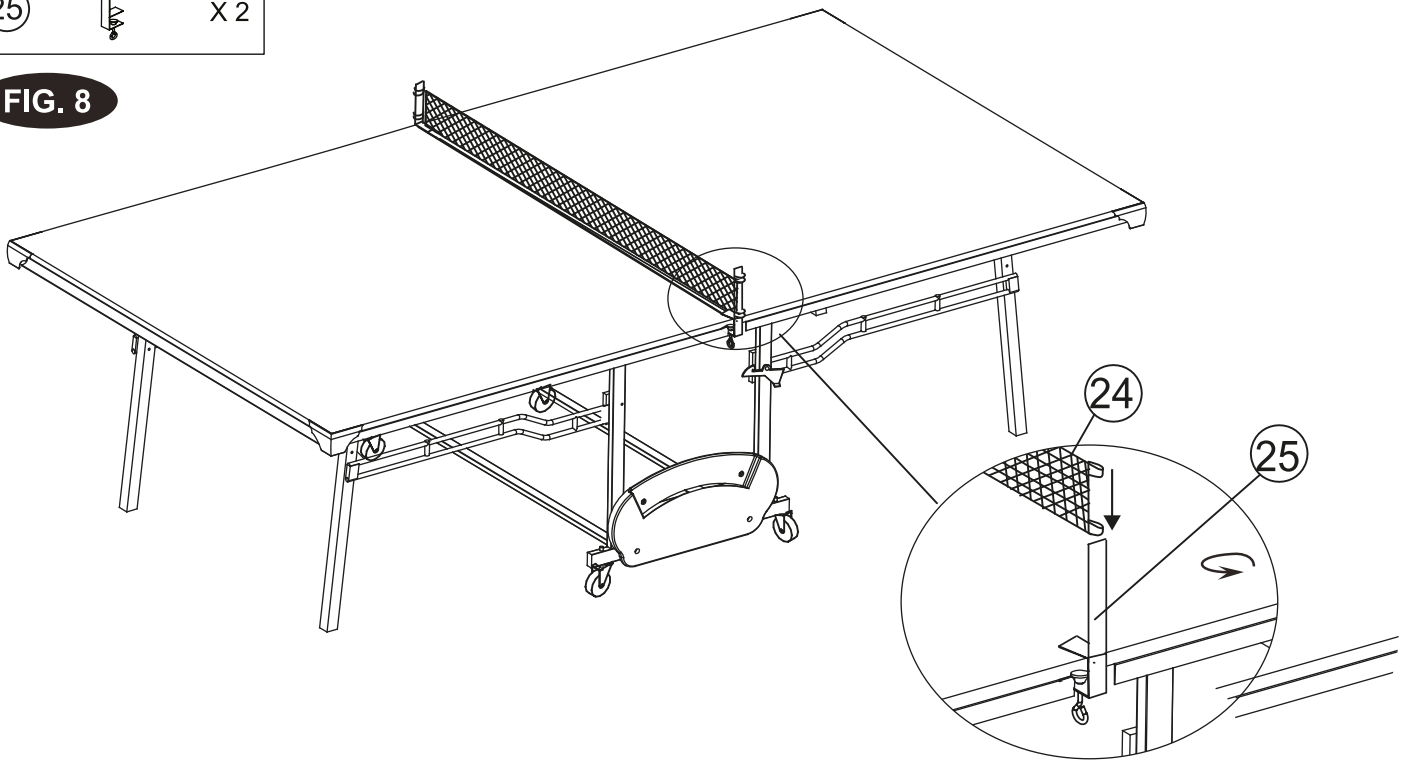


FIG.8

22. Unfold the table halves, then attach the Net Post (#25) at the middle of the table. Stretch the Net (#24) across the center of the table and slip the net over the post on the opposite side. **See FIG.8.**

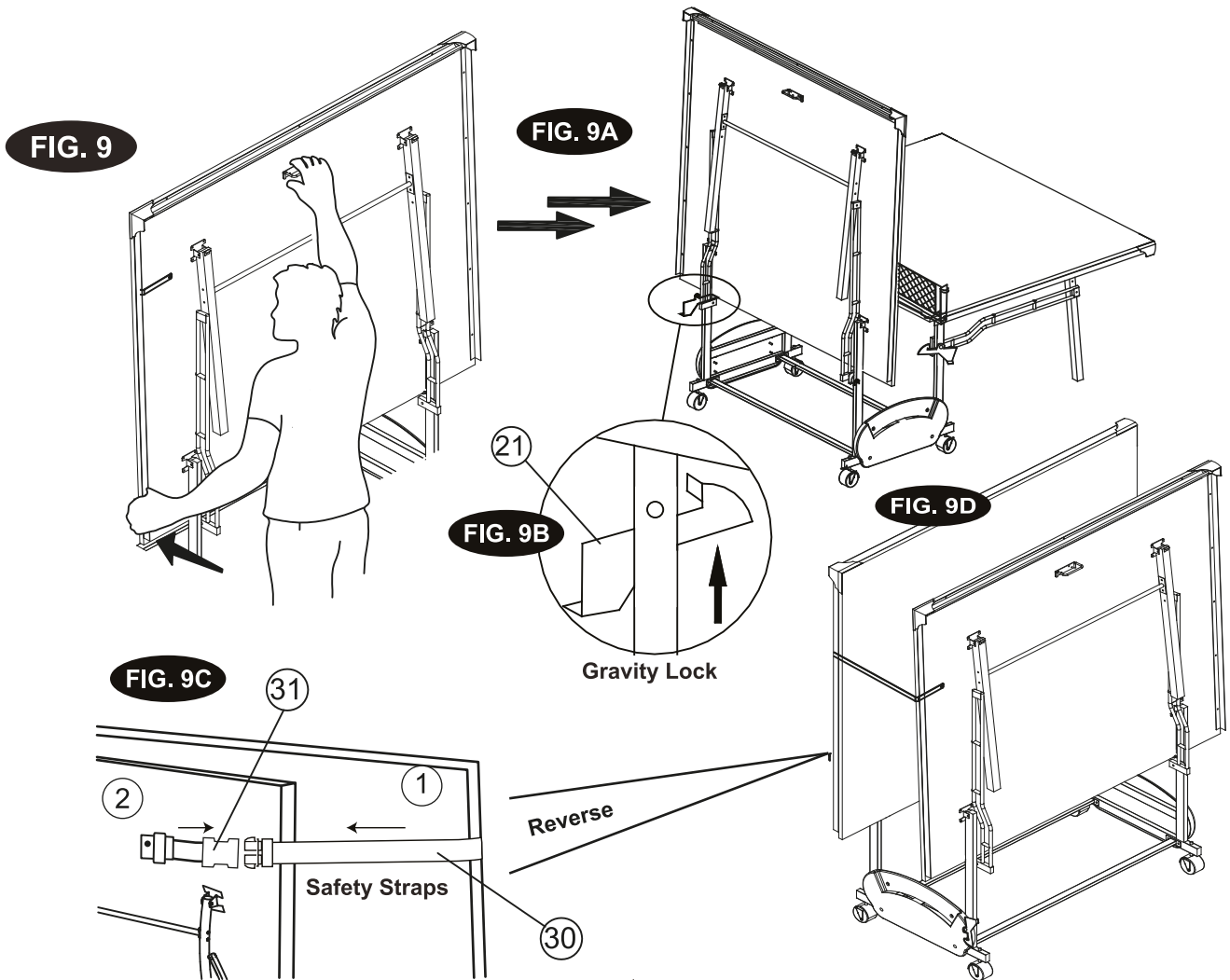
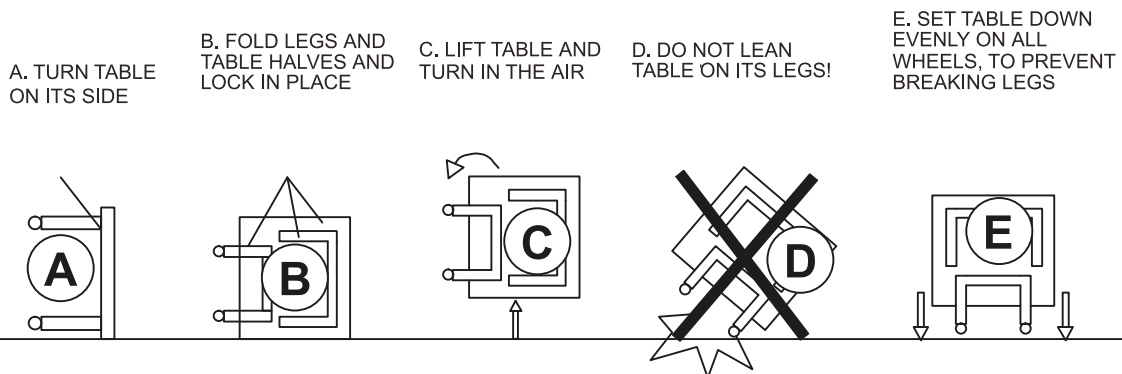


FIG.9

23. Engage the Wheels Lock.

24. Folding the table - First fold the side of the table without the net post. Hold the handle securely and lift the table. Make sure the Gravity Lock (#21) is locked. Repeat for the other side. Attach the Safety Straps (#30, #31) together to prevent the sides from falling.

25. To unfold the table - First release the Safety Strap (#30 & #31). Hold the handle then release the Gravity Lock (#21). Pull the handle slowly to lower the table to floor. Repeat for the other side.



CAUTION: Four strong adults are recommended to turn the table over as shown.

NOTE: When the table is in its storage position, always attach the safety strap to prevent the sides from falling.

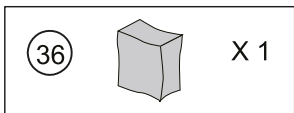


FIG. 10

