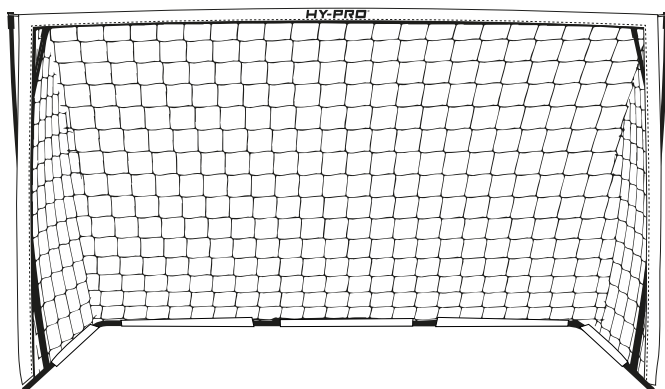


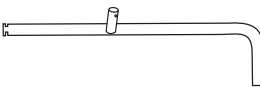
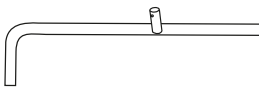
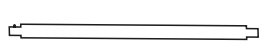


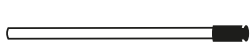
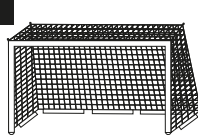
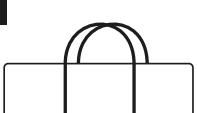


8x5FT GOAL

Assembly Instructions

Item No: HP08632



PARTS LIST:

<p>1</p>  <p>x1</p>	<p>2</p>  <p>x1</p>	<p>3</p>  <p>x2</p>	<p>4</p>  <p>x1</p>	<p>5</p>  <p>x2</p>
<p>Left Tube</p>	<p>Right Tube</p>	<p>Straight Tube</p>	<p>Middle Tube</p>	<p>Side Tube</p>
<p>6</p>  <p>x2</p>	<p>7</p>  <p>x1</p>	<p>8</p>  <p>x1</p>	<p>9</p>  <p>x4</p>	<p>10</p>  <p>x2</p>
<p>Long Fibreglass Pole (insert front)</p>	<p>Net</p>	<p>Carry Bag</p>	<p>Peg</p>	<p>Short Fibreglass Pole (insert back)</p>



Warning: Not suitable for children under 3 years due to small parts and long cord - CHOKING / STRANGULATION / ENTANGLEMENT HAZARD

- Caution! Adult assembly required.
- Unpack and assemble with care. Keep small parts and polybags away from children during and after assembly.

IMPORTANT!

Please keep your instructions. Before attempting assembly, please read through this instruction book to familiarise yourself with all the parts and assembly steps. Please refer to the Parts List below and be sure that all parts have been included. If you have a problem with this product, we want to help.

For immediate assistance, please email us on info@hy-pro.co.uk

ASSEMBLY INSTRUCTIONS

STEP 1: Attach the Net (7) by feeding the Tubes (1-4) through the net's sleeves (fig.1), attaching the poles together as you go to create the frame base.

Note: It is important to build the frame within the net sleeves. Do not attempt to build the frame, then thread it into the net sleeves, as this may damage them.

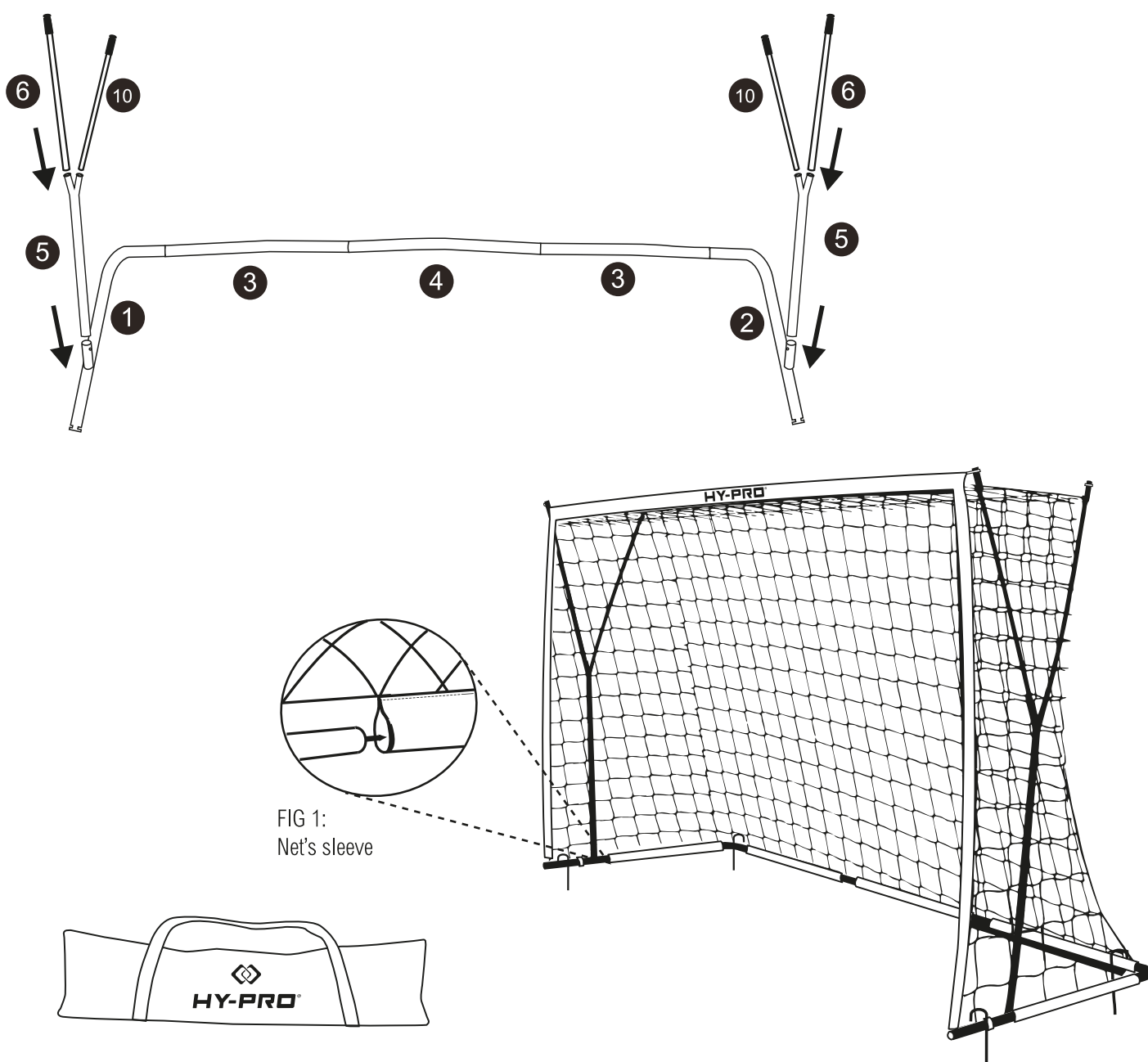
STEP 2: Insert 2 x Side Tube (5) to the metal base at both sides.

STEP 3: Insert Long Fibreglass Pole (6) facing front and Short Fibreglass Pole (10) facing back, into Side Tube (5) at both sides.

STEP 4: Hook the net bottom loops to the frame first.

STEP 5: Hoop the four net loops at the top edge of the Fibreglass Poles (6 & 10).

STEP 6: Secure the goal on soft ground using the 4 x Peg (9).



Made in China

©Hy-Pro Sports

Manufactured by

Hy-Pro International

Hy-Pro House, Centrus Park, Arenson Way,
Dunstable, Bedfordshire, LU5 5BN, UK

Hy-Pro Europe

Cube Building, Monahan Road, Cork,
T12H1XY Republic Of Ireland.

Hy-Pro Asia

Room 1011, 10/F, Peninsula Centre,
67 Mody Road, Kowloon, Hong Kong.